

# Teknox

METAL CLEANING  
EVOLUTION



ENGLISH 

HIGH  
QUALITY  
guaranteed  
\*\*\*

HELP  
DESK  


MADE  
IN ITALY

SINCE  
1967

P  
LINE



## THE NEW TEKNOX APP

This application wants to be an additional tool that Teknox puts in place to improve and speed up the services and communication with its customers and the sales department.

Thanks to the application are available different services, such as: the form for the request of spare parts, the form for the data collection for new projects, the complete interactive catalogue with images, videos, technical data and much more.

# Teknox

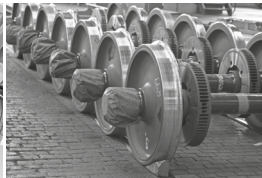
The company, born as SME in 1967, has become over the years the reference point in the field of piece washing.

Today the production includes:

- EQUIPMENT FOR WASHING PARTS IN THE MAINTENANCE DEPARTMENTS
- PLANTS FOR THE SURFACE TREATMENT OF PARTS IN PRODUCTION CYCLE



Car and motorcycle maintenance



Railway



Regeneration



Chemical industry and colour industry



Aerospace



Shipbuilding industry



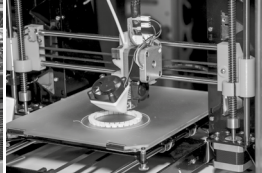
Petrochemistry



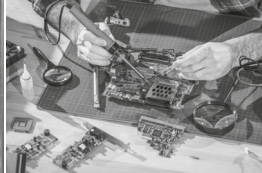
Composite materials



Printing industry



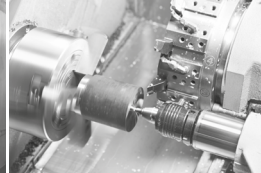
3D printing



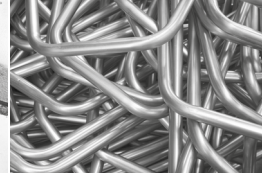
Electronics industry



Prepainting



CNC machining



Tube processing



Sheet metal stamping



Automatic lines



More than **50** years of experience

**6000** sqm of plant

More than **10.000** machines produced

**80+** Countries we export to

More than **40** employees

# P SMALL

P IS THE OPTIMAL SYSTEM FOR THE **AUTOMATIC WASHING** OF MEDIUM SIZE MECHANICAL PARTS.

Washing is carried out by the action of upper, lower and side nozzles.

Basket rotates through a gear motor.

The switchboard is electromechanical.

Operators can set the tank liquid temperature as well as the length of the treatment cycle.



**SPRAY WASHING**



**MOTORIZED ROTATION ON VERTICAL AXIS**



P 80



**VERSION**

- LT (heating up to 60° C)



**CONTROL**

- Electromechanical



**NUMBER OF TANKS**

- Single tank



**AREAS OF APPLICATION**

- Maintenance

- Mechanical industry

# P SMALL

60 M

80 M

60

80

## TECHNICAL FEATURES

- Basket in drawn sheet metal with external border in Aisi 304 stainless steel
- Reinforced basket in electrically welded mesh with external border in galvanized steel
- Hatch closure assisted with gas springs and fastening hook
- Aisi 304 stainless steel filter in pump intake
- Tank border gasket
- Structure and sheet metal in contact with liquid in Aisi 304 stainless steel
- Minimum level switch
- Safety limit switch on cover opening
- Stainless steel electric pump with special seals

- IP65 electrical system, electromechanical controls
- Heating of the liquid with stainless steel electric heating element
- Mechanical rotation of basket via gearmotor
- Internal welding bleaching
- Intake and delivery pump hose (easy maintenance)
- Aisi 304 stainless steel washing pipelines with professional stainless steel flat nozzles
- Drain valves for emptying tanks
- Manual water filling valve



## AUTOMATIC WASHING

TECHNICAL DATA	P 60M	P 80M	P 60	P 80
Load capacity	100 kg	100 kg	100 kg	100 kg
Tank 1 capacity	60 lt	130 lt	60 lt	130 lt
Pump 1	0,55 kw 2,5 bar 120 lt/min	0,55 kw 2,5 bar 120 lt/min	0,55 kw 2,5 bar 120 lt/min	0,55 kw 2,5 bar 120 lt/min
High pressure pump 1	2,2 kW 6 bar 180 lt/min	2,2 kW 5 bar 180 lt/min	2,2 kW 6 bar 180 lt/min	2,2 kW 5 bar 180 lt/min
Heating tank 1	3 kW	3 kW	4 kW	4 kW
Motor for parts rotation	0,09 kW	0,09 kW	0,09 kW	0,09 kW
Steam exhauster	0,09 kW 70 Nmc/h	0,09 kW 70 Nmc/h	0,09 kW 70 Nmc/h	0,09 kW 70 Nmc/h
Disk oil separator	0,09 kW	0,09 kW	0,09 kW	0,09 kW
Compressed air blowing	95 Nmc/h @ 4 bar	105 Nmc/h @ 4 bar	95 Nmc/h @ 4 bar	105 Nmc/h @ 4 bar
Tank emptying pump	0,37 kW	0,37 kW	0,37 kW	0,37 kW
Power supply	Single- phase	Single- phase	Three-phase	Three-phase

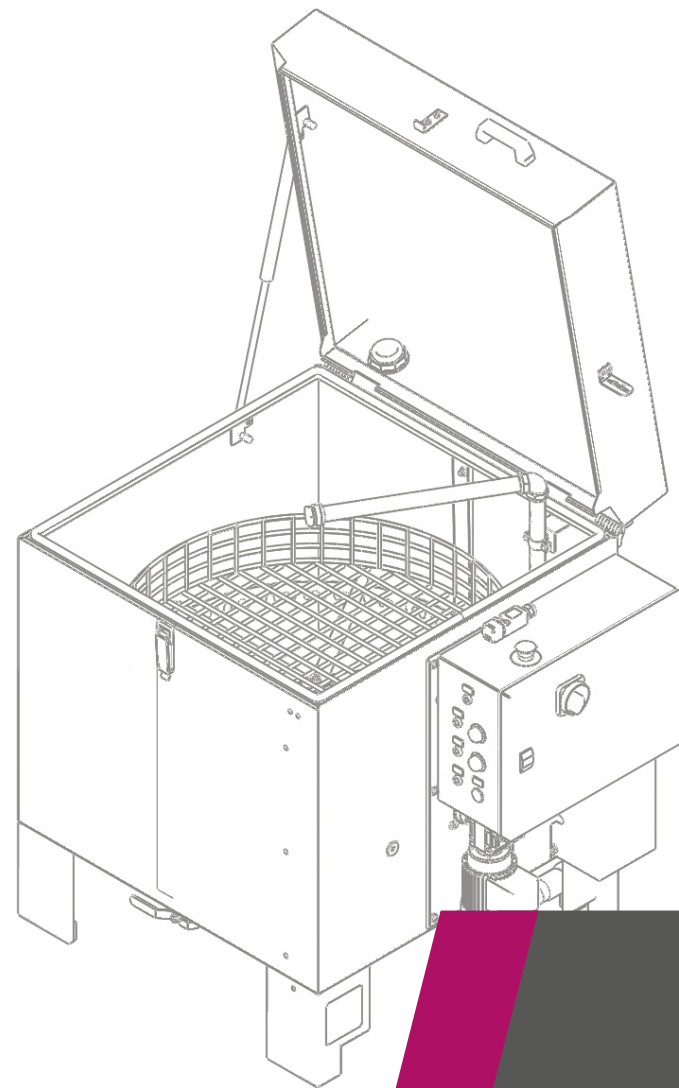


## ACCESSORIES

- Compressed air blowing (fixed time 3') [B]
- Electric timed steam extraction
- Basket in stainless steel Aisi 304
- Disc oil separator integrated into basket rotation
- Kit for use with abrasive contaminants in the washing liquid
- Stainless steel fittings and valves kit ( for parts that are in contact with liquids)
- High pressure washing pump
- Panels under the basket with cap filter for collecting grease and chips
- Upper ramp fastened to the cover
- Machine equipped with wheels for handling
- Emptying pump

### ACCESSORIES NOTES LEGEND

B: panels under the basket are mandatory (if in the price list for that model)

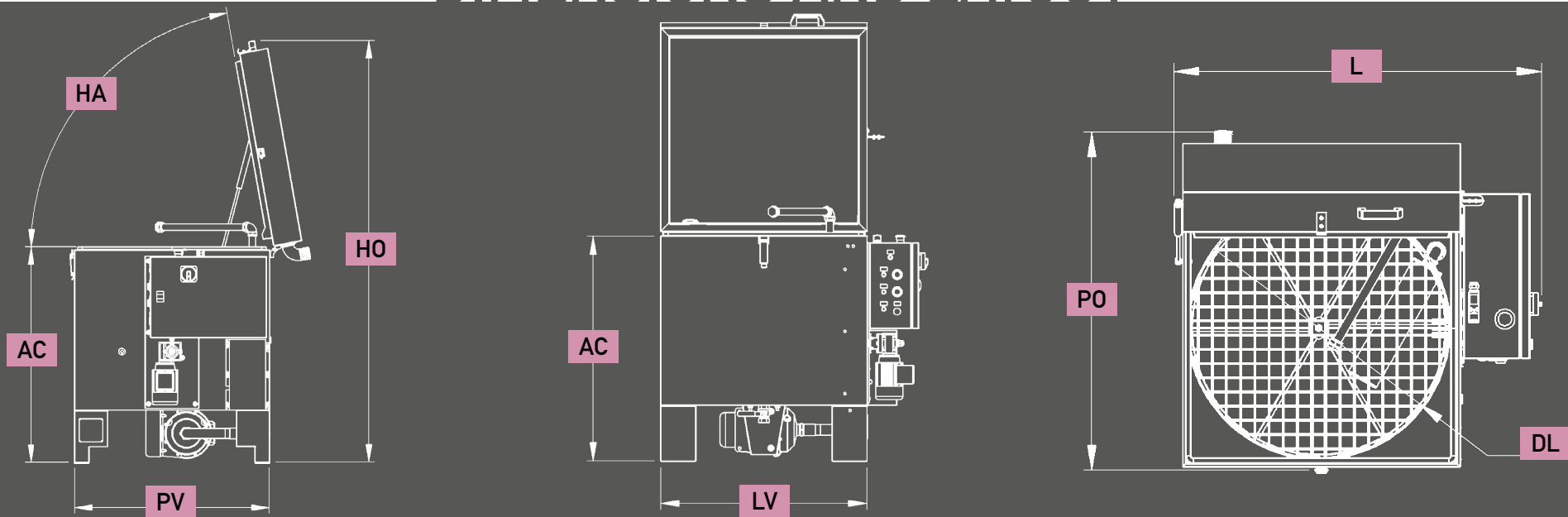


CONNECTIONS	P 60M	P 80M	P 60	P 80
Steam extraction	M 1" 1/2	M 1" 1/2	M 1" 1/2	M 1" 1/2
Tank liquid drain	F 1"	F 1"	F 1"	F 1"
Deoiling oil drain	M 1/2"	M 1/2"	M 1/2"	M 1/2"
Compressed air blower solenoid valve	F 1"	F 1"	F 1"	F 1"
Emptying pump	F 1"	F 1"	F 1"	F 1"
Cabin vent outlet	Ø50 mm	Ø50 mm	Ø50 mm	Ø50 mm

P **SMALL**

DIMENSIONS AND LAYOUT		P 60M	P 80M	P 60	P 80
L	width	92 cm	112 cm	92 cm	112 cm
PO	depth with opened machine	86 cm	105 cm	86 cm	105 cm
HO	height with opened machine	153 cm	185 cm	153 cm	185 cm
DL	working diameter	58 cm	78 cm	58 cm	78 cm
HL	washing height	38 cm	43 cm	38 cm	43 cm
AC	loading height	83 cm	92 cm	83 cm	92 cm
LV	tank width	64 cm	84 cm	64 cm	84 cm
PV	tank depth	64 cm	84 cm	64 cm	84 cm
HA	opening angle	80°	80°	80°	80°
W	weight	85 Kg	96 Kg	85 Kg	96 Kg
RU	noise LT	75 dBa	75 dBa	75 dBa	75 dBa

## DIMENSIONS AND LAYOUT



# P MEDIUM

P IS THE OPTIMAL SYSTEM FOR THE  
**AUTOMATIC WASHING**  
OF MEDIUM SIZE MECHANICAL PARTS.

Washing is carried out by the action of upper, lower  
and side nozzles.

Basket rotates through a gear motor.

The switchboard is electromechanical.

Operators can set the tank liquid temperature  
as well as the length of the treatment cycle.



**SPRAY  
WASHING**



**MOTORIZED  
ROTATION ON  
VERTICAL AXIS**



**VERSION**

- LT (heating up to 60° C)



**CONTROL**

- Electromechanical



**NUMBER OF TANKS**

- Single tank



**AREAS OF APPLICATION**

- Maintenance

- Mechanical industry

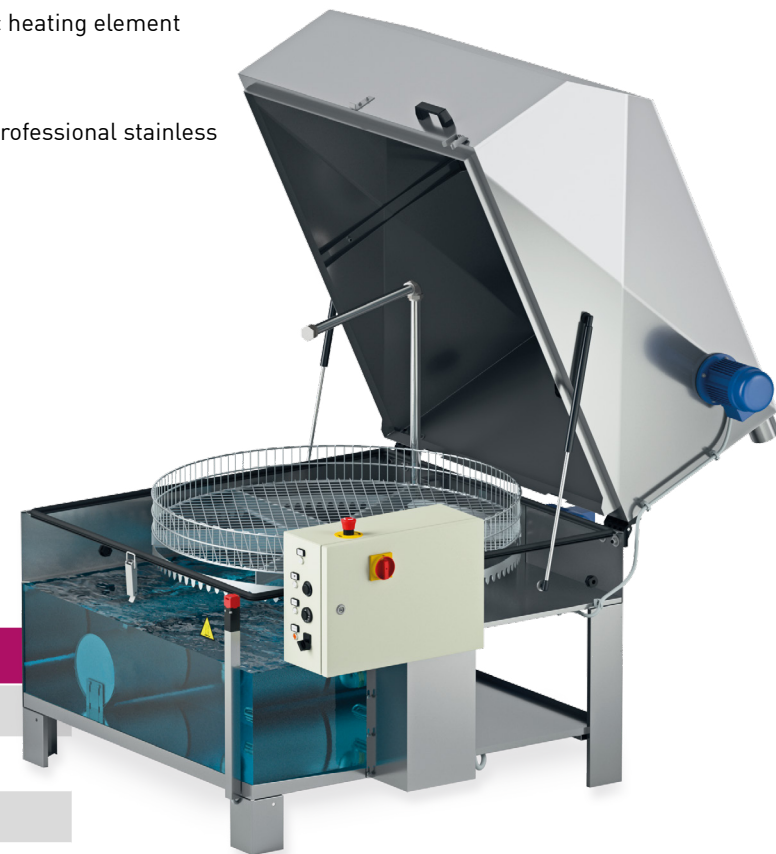
**P  
MEDIUM**

**100  
120**



## TECHNICAL FEATURES

- Timed electric exhaustion of steam
- Reinforced basket in electrically welded mesh with external border in galvanized steel
- Hatch closure assisted with gas springs and fastening hook
- Aisi 304 stainless steel filter in pump intake
- Tank border gasket
- Structure and sheet metal in contact with liquid in Aisi 304 stainless steel
- Minimum level switch
- Safety limit switch on cover opening
- Stainless steel electric pump with special seals
- IP65 electrical system, electromechanical controls
- Heating of the liquid with stainless steel electric heating element
- Mechanical rotation of basket via gearmotor
- Internal welding bleaching
- Aisi 304 stainless steel washing pipelines with professional stainless steel flat nozzles
- Drain valves for emptying tanks
- Manual water filling valve



# AUTOMATIC WASHING

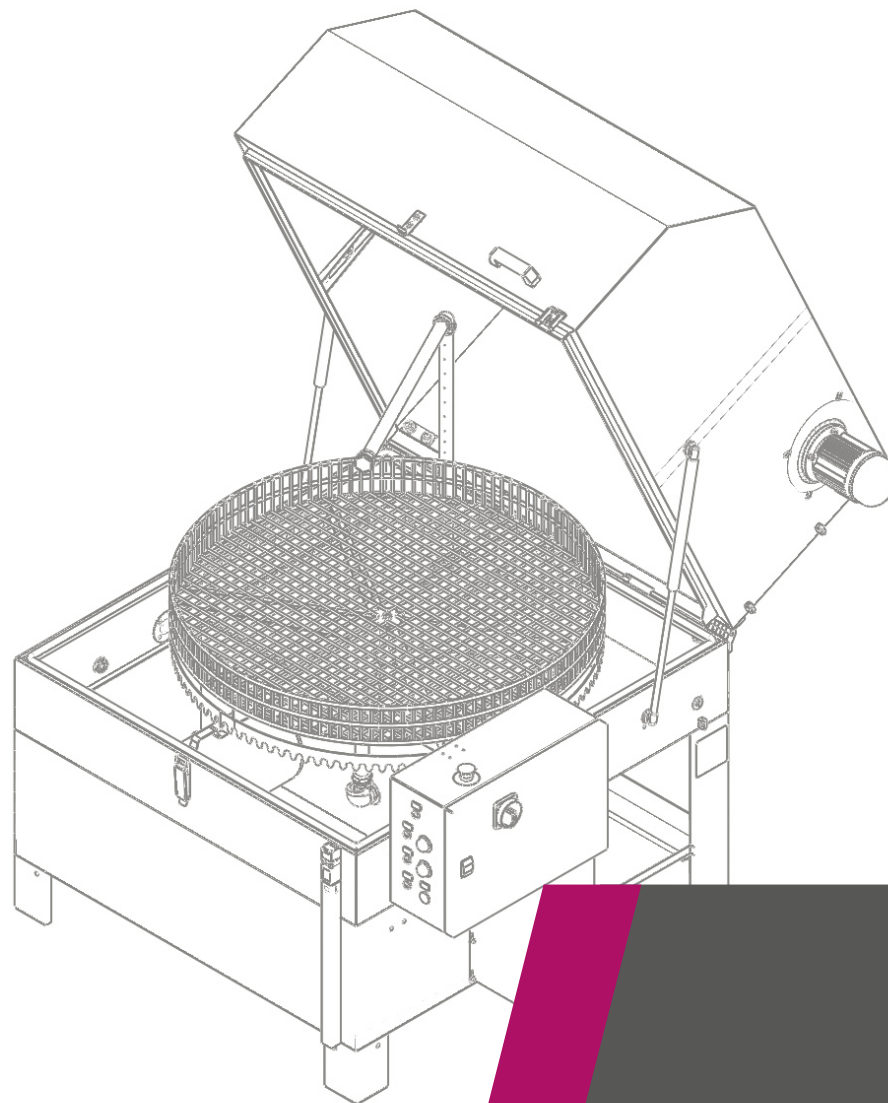
TECHNICAL DATA	P 100	P 120
Load capacity	200 kg	300 kg
Tank 1 capacity	210 lt	270 lt
Pump 1	1,5 kW 2,5 bar 200 lt/min	1,5 kW 2,5 bar 200 lt/min
High pressure pump 1	3,0 kW 6 bar 250 lt/min	3,0 kW 6 bar 250 lt/min
Heating tank 1	6 kW	8 kW
Motor for parts rotation	0,09 kW	0,09 kW
Steam exhauster	0,25 kw 320 Nmc/h	0,25 kw 320 Nmc/h
Disk oil separator	0,09 kW	0,09 kW
Compressed air blowing	130 Nmc/h @ 4 bar	150 Nmc/h @ 4 bar
Tank emptying pump	0,37 kW	0,37 kW
Power supply	Three-phase	Three-phase

## ACCESSORIES

- Compressed air blowing (fixed time 3') [B]
- Basket in stainless steel Aisi 304
- Disc oil separator with dedicated motorization
- Kit for use with abrasive contaminants in the washing liquid
- Stainless steel fittings and valves kit ( for parts that are in contact with liquids)
- High pressure washing pump
- Panels under the basket with cap filter for collecting grease and chips
- Upper ramp fastened to the cover
- Machine equipped with wheels for handling
- Emptying pump

## ACCESSORIES NOTES LEGEND

B: panels under the basket are mandatory (if in the price list for that model)

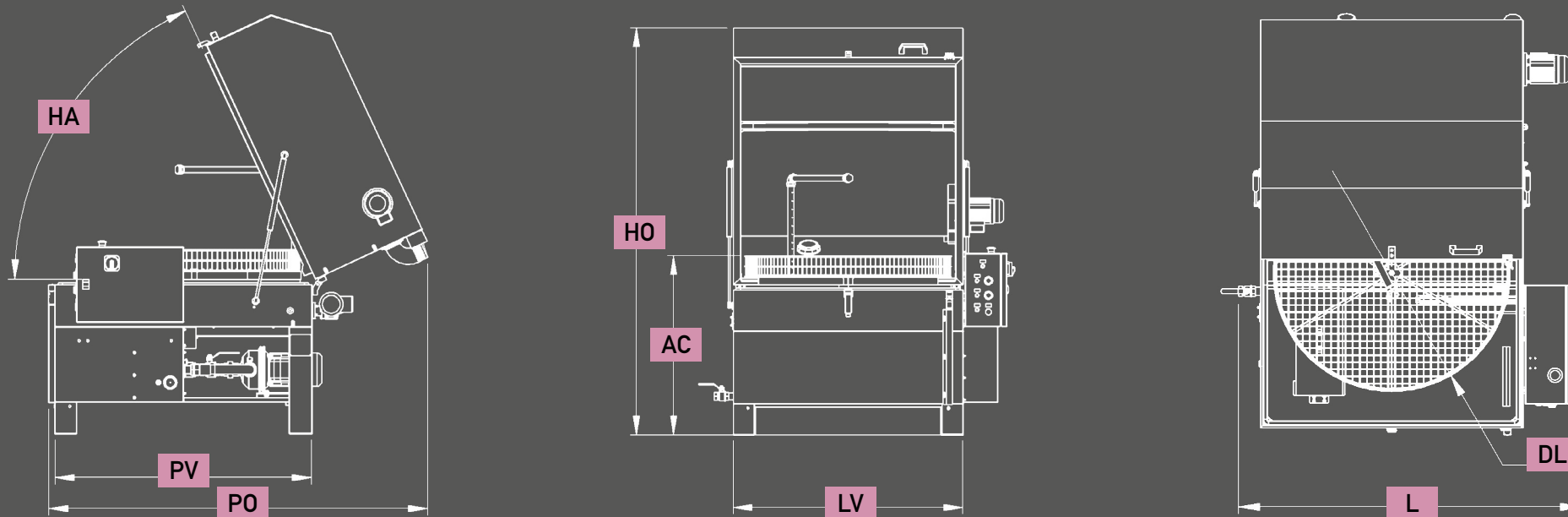


CONNECTIONS	P 100	P 120
Steam extraction	Ø80 mm	Ø80 mm
Tank liquid drain	F 1"	F 1"
Deoiling oil drain	M 1/2"	M 1/2"
Compressed air blower solenoid valve	F 1"	F 1"
Emptying pump	F 1"	F 1"
Cabin vent outlet	Ø75 mm	Ø75 mm

**P MEDIUM**

DIMENSIONS AND LAYOUT		P 100	P 120
<b>L</b>	width	146 cm	166 cm
<b>PO</b>	depth with opened machine	175 cm	206 cm
<b>HO</b>	height with opened machine	191 cm	211 cm
<b>DL</b>	working diameter	97 cm	117 cm
<b>HL</b>	washing height	54 cm	70 cm
<b>AC</b>	loading height	67 cm	67 cm
<b>LV</b>	tank width	110 cm	130 cm
<b>PV</b>	tank depth	120 cm	135 cm
<b>HA</b>	opening angle	60 °	60 °
<b>W</b>	weight	168 Kg	202 Kg
<b>RU</b>	noise LT	75 dBa	75 dBa

## DIMENSIONS AND LAYOUT



Our catalogue  
P LINE



SCAN THE QR-CODE  
download our catalogue P LINE

www.teknox.net



TEKNOX ITALY

ADDRESS

Via Mori, 6  
40054 Prunaro di Budrio  
Bologna - Italy

PHONE

+ 39 051 800862

FAX

+ 39 051 803769

EMAIL

info@teknox.net

THIS CATALOGUE REPLACES ANY PREVIOUS PUBLICATION.  
THE DATA PROVIDED ARE INDICATIVE AND WE RESERVE THE RIGHT TO CHANGE THEM WITHOUT NOTICE.

Copyright © 2020 TEKNOX s.r.l.