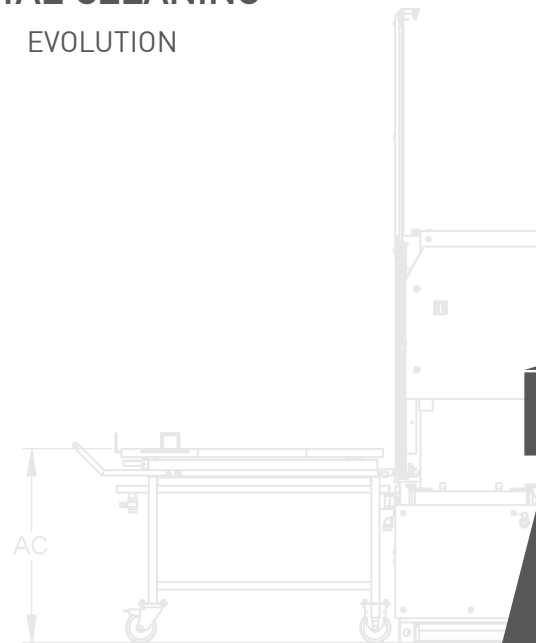
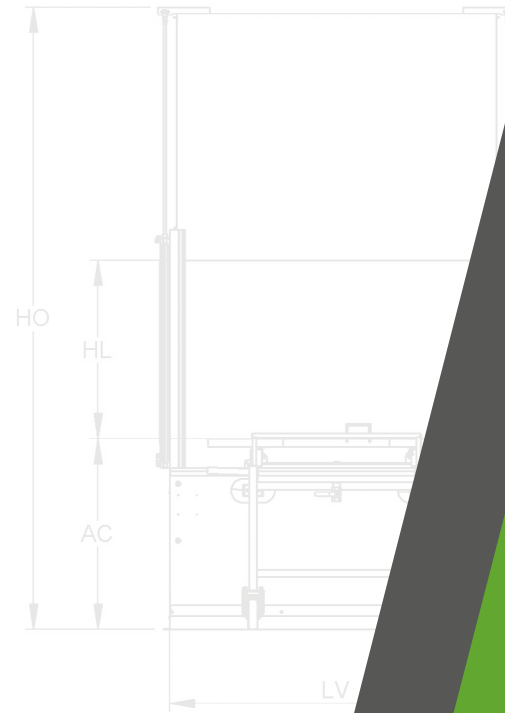


Teknox

METAL CLEANING
EVOLUTION



HIGH
QUALITY
guaranteed

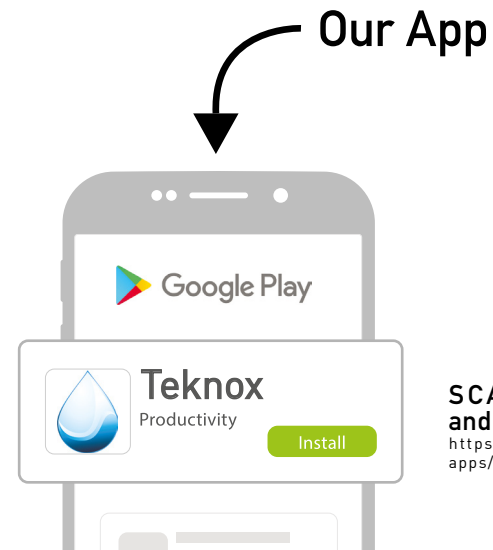
HELP
DESK
☎

MADE
IN ITALY

SINCE
1967

ENGLISH 

SIMPLEX BIG LINE



**SCAN THE Q-CODE
and download our APP**
[https://play.google.com/store/
apps/details?id=com.teknoxApp.
teknoxApp&gl=IT](https://play.google.com/store/apps/details?id=com.teknoxApp.teknoxApp&gl=IT)

THE NEW TEKNOX APP

This application wants to be an additional tool that Teknox puts in place to improve and speed up the services and communication with its customers and the sales department.

Thanks to the application are available different services, such as: the form for the request of spare parts, the form for the data collection for new projects, the complete interactive catalogue with images, videos, technical data and much more.

Teknox

The company, born as SME in 1967, has become over the years the reference point in the field of piece washing.

Today the production includes:

- EQUIPMENT FOR WASHING PARTS IN THE MAINTENANCE DEPARTMENTS
- PLANTS FOR THE SURFACE TREATMENT OF PARTS IN PRODUCTION CYCLE



Car and motorcycle maintenance



Railway



Regeneration



Chemical industry and colour industry



Aerospace



Shipbuilding industry



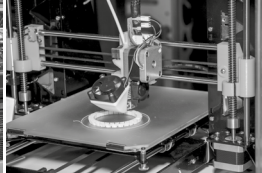
Petrochemistry



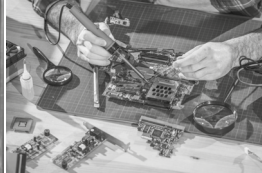
Composite materials



Printing industry



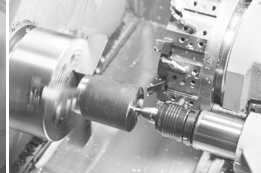
3D printing



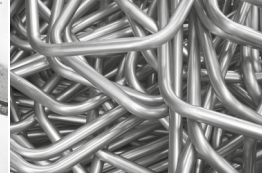
Electronics industry



Prepainting



CNC machining



Tube processing



Sheet metal stamping



Automatic lines



More than **50** years of experience

6000 sqm of plant

More than **10.000** machines produced

80+ Countries we export to

More than **40** employees

SIMPLEX BIG

SIMPLEX BIG PERFORMS THE SUCCESSFUL **AUTOMATIC WASHING** OF MEDIUM AND LARGE SIZE MECHANICAL PARTS.

Washing is carried out by the action of upper, lower and side nozzles. The slow rotation of the platform is ensured by a gear motor with a torque limiter. A PLC management enables numberless customisations thanks to a wide range of accessories.



SPRAY WASHING



MOTORIZED ROTATION ON VERTICAL AXIS



SIMPLEX BIG 1200 LT



VERSION

- LT (heating up to 60° C)
- HT (heating up to 80° C)



CONTROL

- PLC with colour touchscreen
- Option Industry 4.0



NUMBER OF TANKS

- Single tank



AREAS OF APPLICATION

- Maintenance
- Mechanical industry
- Graphic industry and Paint factory
- Surface treatment

SIMPLEX BIG

1000

1200

1400

1800

2200

2600

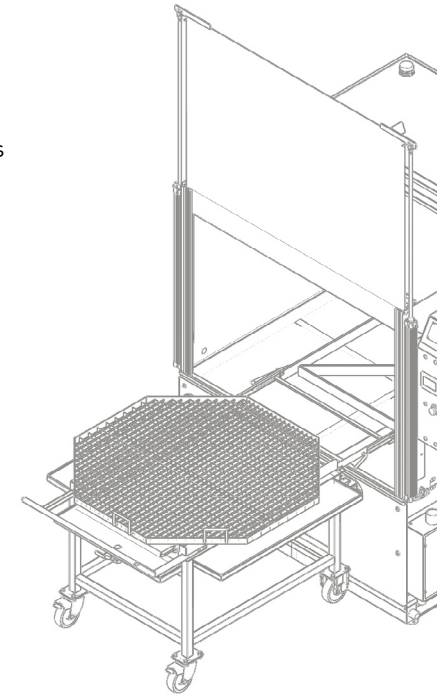
ACCESSORIES

- Maximum liquid level control in tank 1 and filling solenoid valve
- Compressed air blowing [B]
- Hot air drying with resistor and air blade side channel blower [B]
- Demineralizer with mixed resins and conductivity meter
- Increased washing height
- Centrifugal steam condenser [S - M]
- Additional basket/platform
- Stainless steel Aisi 304 additional external trolley
- Automatic liquid detergent dispenser, installed in bath 1
- Disc oil separator with dedicated motorization
- External pneumatic oil separator
- Bag filter in stainless steel, installed in the bath 1
- Magnetic spark plug for bag filter for ferrite powder
- Device for remote connection and remote support for HMI Weintek
- Kit for Industry 4.0 for HMI Weintek
- Manual washing and blowing with hoses and washing nozzle
- 80 bar manual washing and blowing with hoses and washing nozzle (both for LT or for HT available)
- Kit for use with abrasive contaminants in the washing liquid
- Stainless steel fittings and valves kit (for parts that are in contact with liquids)

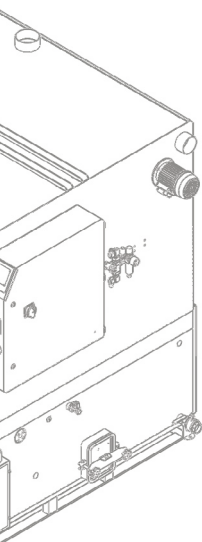
- PLC Siemens® S7 1200 - HMI touchscreen Weintek
- High pressure washing pump
- Insulated stainless steel roller shutter front door
- Platform and spider in stainless steel Aisi 304
- Panels under the basket with cap filter for collecting grease and chips
- External platform with hydraulic elevator
- Heating with diesel / natural gas burner
- Stainless steel Aisi 304 retention tank with drip-catcher
- Nebulized rinse from water mains, draining into the washing tank
- Compressed air blowing with upper pipe adjustable in height [B]
- Tank on the opposite side when compared to standard
- Removable edges for grating in stainless steel, H 200 mm
- Emptying pump
- Signal tower for indicating system status
- Various loading / unloading external stations

ACCESSORIES NOTES LEGEND

- B: panels under the basket are mandatory (if in the price list for that model)
 C: the useful washing height is reduced by 130 mm

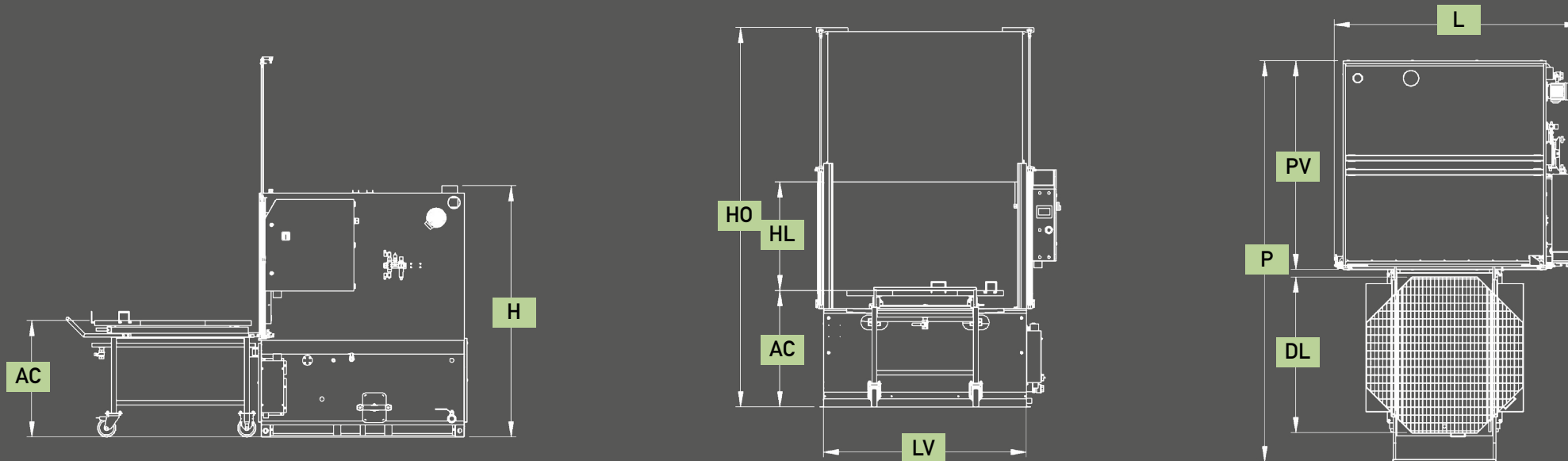


CONNECTIONS	S 1000	S 1200	S 1400	S 1800	S 2200	S 2600
Steam extraction	Ø80 mm	Ø80 mm	Ø100 mm	Ø100 mm	2 x Ø100 mm	2 x Ø100 mm
Tank liquid drain	F 1" 1/4	F 1" 1/4	F 1" 1/4	F 1" 1/4	F 1" 1/4	F 1" 1/4
Water filling solenoid valve	F 1/2"	F 1/2"	F 1/2"	F 1/2"	F 1/2"	F 1/2"
Deoiling oil drain	M 1/2"	M 1/2"	M 1/2"	M 1/2"	M 1/2"	M 1/2"
Compressed air intake	F 1/4"	F 1/4"	F 1/4"	F 1/4"	F 1/4"	F 1/4"
Compressed air blower solenoid valve	F 1"	F 1"	F 1"	F 1"	F 1"	F 1"
Emptying pump	F 1"	F 1"	F 1"	F 1"	F 1"	F 1" 1/4
Natural gal/ Gasoil burner flue	Ø130 mm	Ø130 mm	Ø130 mm	Ø130 mm	Ø130 mm	Ø130 mm
Cabin vent outlet	Ø130 mm	Ø130 mm	Ø130 mm	Ø130 mm	Ø130 mm	Ø130 mm



DIMENSIONS AND LAYOUT		S 1000	S 1200	S 1400	S 1800	S 2200	S 2600
L	width	165 cm	185 cm	205 cm	240 cm	285 cm	325 cm
P	depth	260 cm	300 cm	330 cm	395 cm	480 cm	560 cm
H	height	200 cm	210 cm	220 cm	235 cm	240 cm	240 cm
HO	height with opened machine	275 cm	295 cm	315 cm	340 cm	350 cm	350 cm
DL	working diameter	90 cm	110 cm	128 cm	165 cm	200 cm	240 cm
HL	washing height	70 cm	80 cm	90 cm	100 cm	100 cm	100 cm
AC	loading height	95 cm	95 cm	95 cm	95 cm	95 cm	95 cm
LV	tank width	135 cm	155 cm	175 cm	210 cm	255 cm	295 cm
PV	tank depth	135 cm	155 cm	175 cm	210 cm	255 cm	295 cm
W	weight	500 Kg	600 Kg	700 Kg	900 Kg	1200 kg	1500 kg
RU	noise LT	75 dBa	75 dBa	75 dBa	75 dBa	75 dBa	75 dBa
RU_HT	noise HT	70 dBa	70 dBa	70 dBa	70 dBa	70 dBa	70 dBa

DIMENSIONS AND LAYOUT



SIMPLEX BIG 2B

SIMPLEX BIG PERFORMS THE SUCCESSFUL **AUTOMATIC WASHING** OF MEDIUM AND LARGE SIZE MECHANICAL PARTS.

Washing is carried out by the action of upper, lower and side nozzles. The slow rotation of the platform is ensured by a gear motor with a torque limiter. A PLC management enables numberless customisations thanks to a wide range of accessories.

In this configuration, parts washers have two separate tanks and carry out both washing and rinsing.



SPRAY WASHING



MOTORIZED ROTATION ON VERTICAL AXIS



SIMPLEX BIG 1200 2B LT



VERSION

- LT (heating up to 60° C)
- HT (heating up to 80° C)



CONTROL

- PLC with colour touchscreen
- Option Industry 4.0



NUMBER OF TANKS

- Single tank



AREAS OF APPLICATION

- Maintenance
- Mechanical industry
- Graphic industry and Paint factory
- Surface treatment

SIMPLEX 2B BIG

1000

1200

1400

1800

2200

2600

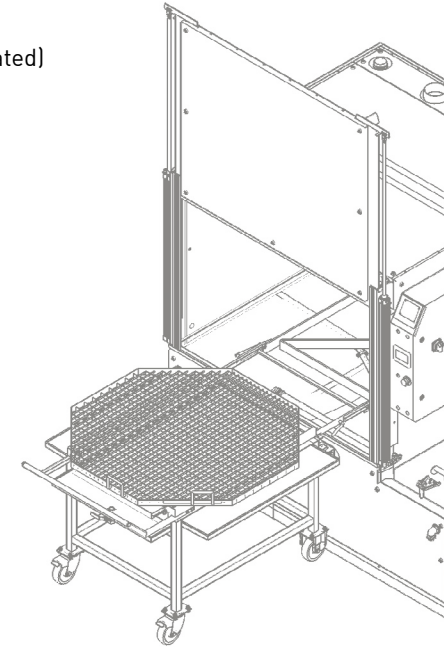
ACCESSORIES

- Maximum liquid level control and filling solenoid valve
- Compressed air blowing [B]
- Hot air drying with resistor and air blade side channel blower [B]
- Demineralizer with mixed resins and conductivity meter
- Increased washing height
- Centrifugal steam condenser
- Additional basket platform
- Stainless steel Aisi 304 additional external trolley
- Automatic liquid detergent dispenser (available for Tank 1 / 2)
- Disc oil separator with dedicated motorization
- External pneumatic oil separator
- Bag filter in stainless steel
- Magnetic spark plug for bag filter for ferrite powder
- Device for remote connection and remote support for HMI Weintek
- Kit for Industry 4.0 for HMI Weintek
- Manual washing and blowing with hoses and washing nozzle
- 80 bar manual washing and blowing with hoses and washing nozzle (both for LT or for HT available)
- Kit for use with abrasive contaminants in the washing liquid
- Stainless steel fittings and valves kit (for parts that are in contact with liquids)

- PLC Siemens® S7 1200 - HMI touchscreen Weintek
- High pressure washing pump
- High pressure rinsing pump
- Circulating pump from tank 2 (most clean) to tank 1 (most contaminated)
- Insulated stainless steel roller shutter front door
- Platform and spider in stainless steel Aisi 304
- External platform with hydraulic elevator
- Stainless steel Aisi 304 retention tank with drip-catcher
- Rinsing by water supply and direct drain outlet
- Nebulized rinse from water mains, draining into the washing tank
- Compressed air blowing with upper pipe adjustable in height [B]
- Tank on the opposite side when compared to standard
- Removable edges for grating in stainless steel, H 200 mm
- Tanks emptying pump (2)
- Signal tower for indicating system status
- Loading/unloading external station (second platform included)

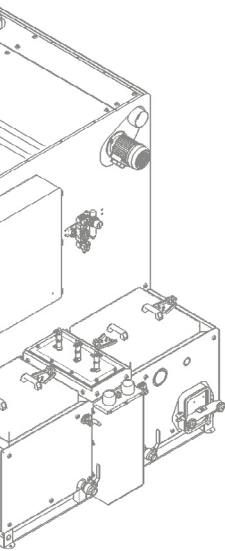
ACCESSORIES NOTES LEGEND

B: panels under the basket are mandatory (if in the price list for that model)
C: the useful washing height is reduced by 130 mm



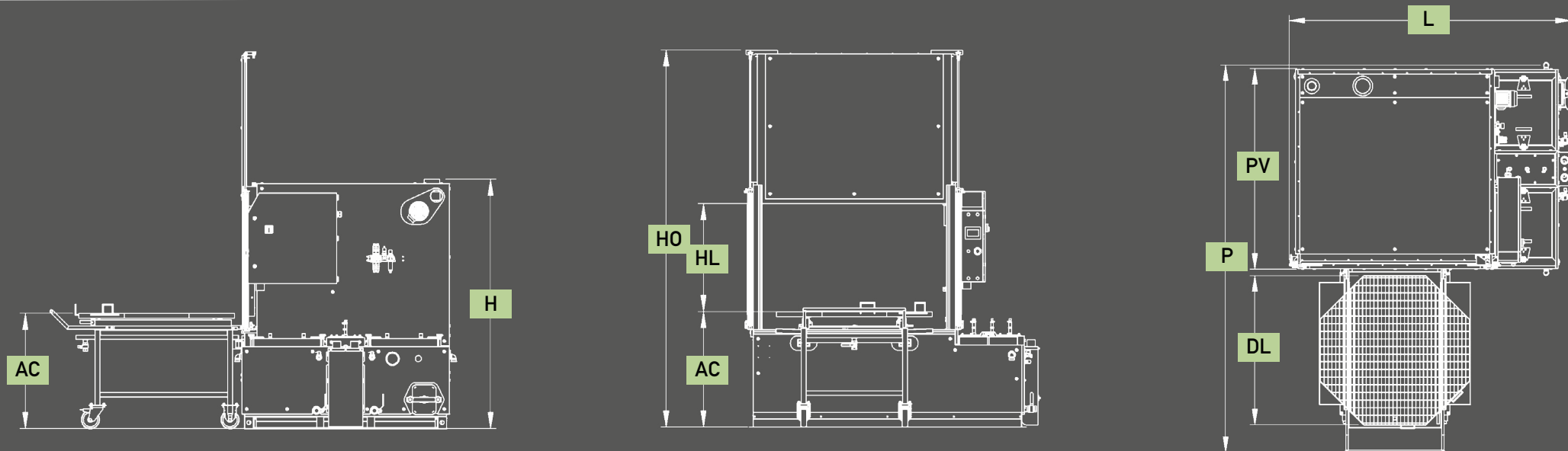
CONNECTIONS	S 1000 2B	S 1200 2B	S 1400 2B	S 1800 2B	S 2200 2B	S 2600 2B
Steam extraction	Ø80 mm	Ø80 mm	Ø100 mm	Ø100 mm	2 x Ø100 mm	2 x Ø100 mm
Tank liquid drain	F 1" 1/4	F 1" 1/4	F 1" 1/4	F 1" 1/4	F 1" 1/4	F 1" 1/4
Water filling solenoid valve	F 1/2"	F 1/2"	F 1/2"	F 1/2"	F 1/2"	F 1/2"
Deoiling oil drain	M 1/2"	M 1/2"	M 1/2"	M 1/2"	M 1/2"	M 1/2"
Compressed air intake	F 1/4"	F 1/4"	F 1/4"	F 1/4"	F 1/4"	F 1/4"
Compressed air blower solenoid valve	F 1"	F 1"	F 1"	F 1"	F 1"	F 1"
Emptying pump	F 1"	F 1"	F 1"	F 1"	F 1"	F 1"
Overflow drain	Ø130 mm	Ø130 mm	Ø130 mm	Ø130 mm	Ø130 mm	Ø130 mm
Cabin vent outlet	Ø130 mm	Ø130 mm	Ø130 mm	Ø130 mm	Ø130 mm	Ø130 mm

SIMPLEX BIG 2B



DIMENSIONS AND LAYOUT		S 1000 2B	S 1200 2B	S 1400 2B	S 1800 2B	S 2200 2B	S 2600 2B
L	width	205 cm	230 cm	250 cm	280 cm	330 cm	370 cm
P	depth	260 cm	300 cm	330 cm	395 cm	480 cm	520 cm
H	height	200 cm	210 cm	220 cm	235 cm	240 cm	240 cm
HO	height with opened machine	275 cm	295 cm	315 cm	340 cm	350 cm	350 cm
DL	working diameter	90 cm	110 cm	128 cm	165 cm	200 cm	240 cm
HL	washing height	70 cm	80 cm	90 cm	100 cm	100 cm	100 cm
AC	loading height	95 cm	95 cm	95 cm	95 cm	95 cm	95 cm
LV	tank width	135 cm	155 cm	175 cm	210 cm	255 cm	295 cm
PV	tank depth	135 cm	155 cm	175 cm	210 cm	255 cm	295 cm
W	weight	700 Kg	850 Kg	1000 Kg	1300 Kg	1600 kg	2200 kg
RU	noise LT	75 dBa	75 dBa	75 dBa	75 dBa	75 dBa	75 dBa
RU_HT	noise HT	70 dBa	70 dBa	70 dBa	70 dBa	70 dBa	70 dBa

DIMENSIONS AND LAYOUT



Our catalogue
SIMPLEX BIG LINE



SCAN THE QR-CODE
download our catalogue SIMPLEX BIG LINE

www.teknox.net



TEKNOX ITALY

ADDRESS

Via Mori, 6
40054 Prunaro di Budrio
Bologna - Italy

PHONE

+ 39 051 800862

FAX

+ 39 051 803769

EMAIL

info@teknox.net

THIS CATALOGUE REPLACES ANY PREVIOUS PUBLICATION.
THE DATA PROVIDED ARE INDICATIVE AND WE RESERVE THE RIGHT TO CHANGE THEM WITHOUT NOTICE.

Copyright © 2020 TEKNOX s.r.l.